

IP RAINBOW SERIES

Provision-ISR's Rainbow cameras, equipped with CNV (Color Night Vision) technology, yield sharp and superior colors even in poor light conditions, providing visual details that significantly contribute to identifying people or objects.



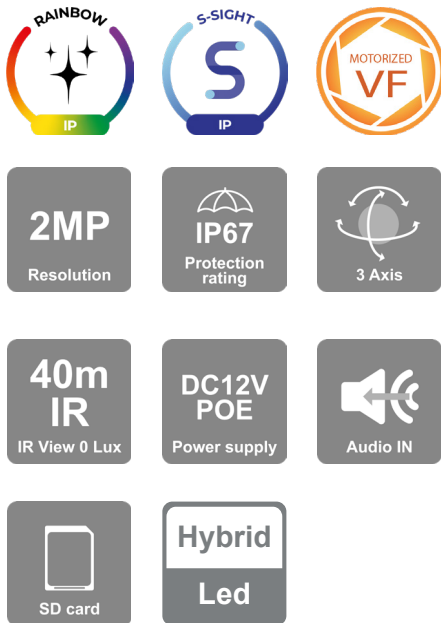
DH-320SRN-MVF

24/7 FULL-COLOR 2MP MOTORIZED LENS DOME CAMERA WITH HYBRID 40M IR AND WHITE LED

The rainbow camera series is equipped with super light-sensitive sensors that allow the camera to provide a color image throughout the day. When the ambient light is insufficient, the camera will turn on the integral lighting, allowing it to continue providing a full-color image. The Hybrid solution enables you to choose between standard IR that provides a B&W image and white LED that provides a colorful image.

The camera offers outstanding DDA Analytics (Detect, Distinguish, Alert), which can perform human and vehicle recognition.

With its outstanding performance, reliability, and affordable price, the DH-320SRN-MVF camera is the perfect solution for indoor/outdoor installations.



MAIN FEATURES

- 2MP
- RAINBOW
- S-SIGHT
- 1920x1080 Resolution
- 2.8-12mm Motorized Vari-Focal (105.4°-34°)
- 3D-DNR
- DDA Analytics
- IP67
- Audio in + Built-in microphone

ANALYTICS

- General Analytics: Camera Tampering
- AI (Object Recognition): DDA Sterile Area, DDA Line Crossing



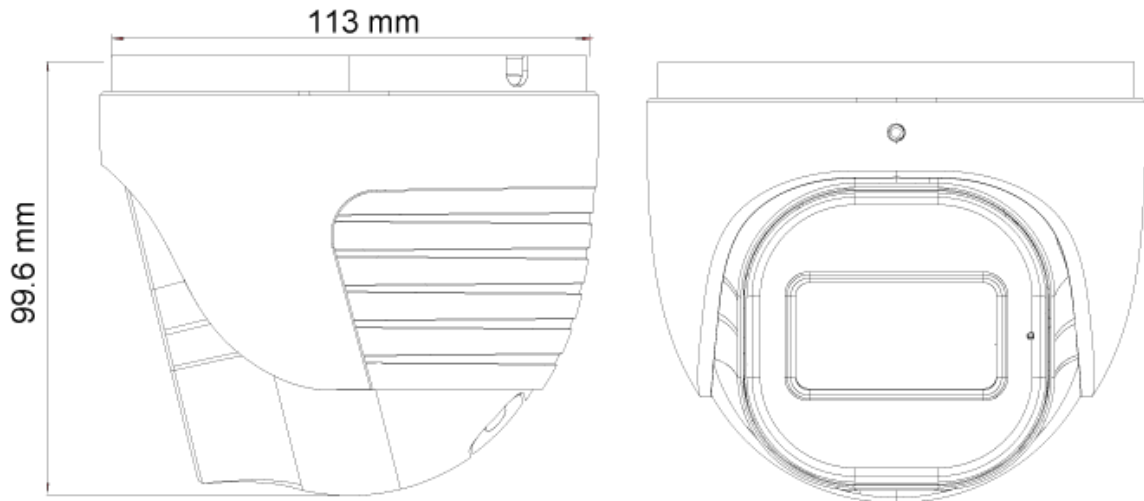
SPECIFICATIONS

Image Sensor	1/2.8" CMOS (16:9)
Effective Pixels	1920x1080
Electronic Shutter	1/25s ~ 1/100000s
Frame Rate	1-25/30 FPS
Min. Illumination	Day: 0.1lux / Night: 0.002lux (@F1.0, AGC on) 0lux with IR on
D&N	ICR + 24/7 Full-Color Day Mode
Audio Compression	G.711A/G.711U
Communication	One-Way Audio
Image Settings	AWB, AGC Adjustable, Exposure Mode (Auto) Sharpness, Saturation, Brightness & Contrast Adjustable
Image Enhancement	True WDR (120dB), BLC, HLC, ROI
Noise Reduction	3D-DNR
Image Orientation	Mirror/Flip
Privacy Zone	Yes
Motion Detection	Yes
Analytics	General Analytics: Camera Tampering AI (Object Recognition): DDA Sterile Area, DDA Line Crossing
DRI Distance	Detect 2.8~12mm(W): 41.67m(136.71ft) - 2.8~12mm(T):128.38m(421.19ft) Recognize 2.8~12mm(W): 8.33m(27.32ft) - 2.8~12mm(T): 25.67m(84.21ft) Identify 2.8~12mm(W): 4.16m(13.64ft) - 2.8~12mm(T): 12.83m(42.09ft)
Video Compression	H.265 / H.264 / H.265+ / H.264+ / MJPEG (Substream only)
Resolution	2MP / 1MP / D1 (704x576) / QVGA (480x240) / CIF (352x288)
Multi-Stream	Master Stream: 2MP (1920x1080) / 1MP (1280x720) (1~30fps) Substream: QVGA/D1/CIF Third Stream: QVGA/D1/CIF (1~30fps)
Bit rate	64Kbps ~ 4Mbps@H.265 / 64Kbps ~ 6Mbps@H.264
Encode Mode	VBR/CBR
Image Quality	Five levels under VBR; Free adjustment under CBR
IR Distance	40m (1 High-Power IR LED) 40m (2 High-Power White LEDs)
Lens (Field of View)	2.8-12mm MVF with Auto Focus (105.4°-34°)

SPECIFICATIONS

Iris	Fixed Iris
Lens Mount	M12 mount
Protection Rate	Water Proof: IP67
Bracket	3-Axis Bracket
Dimensions	Ø113mm×99.6mm
Weight (gross)	~640g
Network	RJ45 (+PoE)
Power	DC Socket
Analog Video Output	No
Audio Connectivity	Built-in Microphone + Audio input
SD Card	Event/Schedule based Main/Substream recording (Up to 128Gb)
Hard Reset Button	Yes
Alarm	No
Remote Monitoring	Web Browsing, Ossia VMS Software, Provision Cam2 Mobile App
User Access	Supports simultaneous monitoring of up to 3 users with multi-stream real-time transmission
Network Protocol	IPv4, IPv6, TCP, UDP, DHCP, NTP, DDNS, 802.1X, RTSP, Multicast, UPnP, Email, FTP, HTTPS, QoS, P2P
ONVIF	Yes
Ethernet	100Mbps
PoE	Yes
Power Supply	DC12V/~780mA / PoE/~7.4W
Work Environment	-30°C~60°C, 10%~90% Humidity
Junction Box	PR-JB14IP66 - PR-JB14IP64 - PR-WB-A

DIMENSIONS



ACCESSORIES

For DI-VF Lens, DI-MVF Lens & DH-Fixed Lens, DH-MVF Lens

